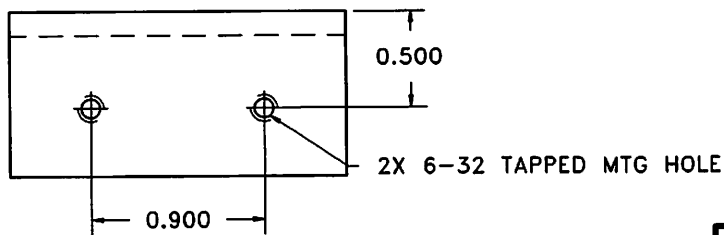
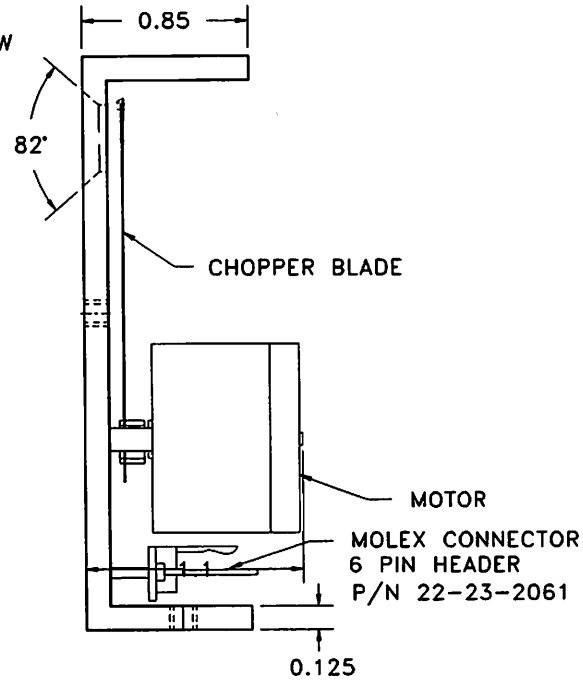
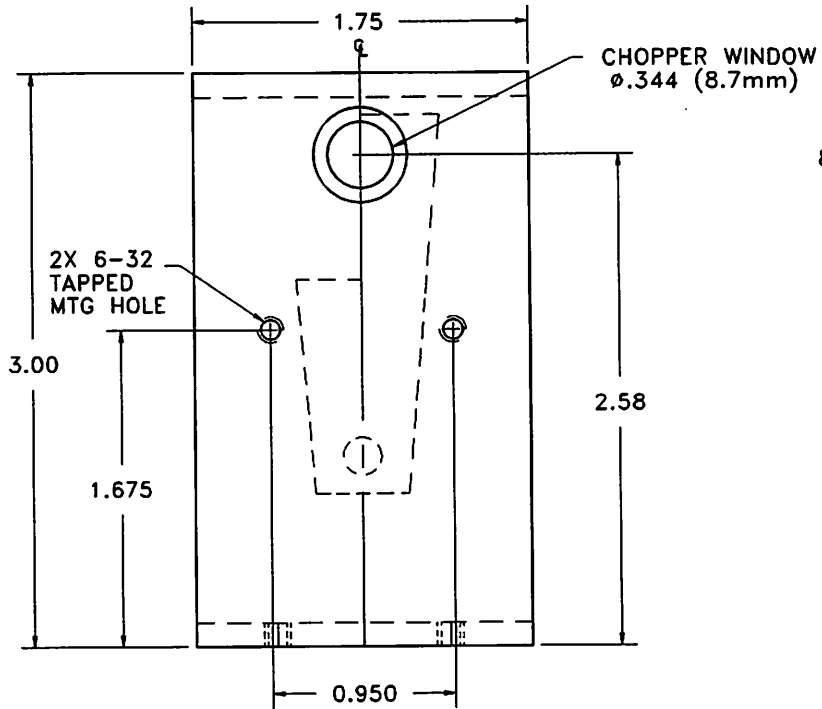


ELECTRO-OPTICAL PRODUCTS PROPRIETARY

THIS DOCUMENT CONTAINS PROPRIETARY INFORMATION AND EXCEPT WITH WRITTEN PERMISSION OF ELECTRO-OPTICAL PRODUCTS CORPORATION SUCH INFORMATION SHALL NOT BE PUBLISHED, OR DISCLOSED TO OTHERS, OR USED FOR ANY PURPOSE, AND THE DOCUMENT SHALL NOT BE DUPLICATED IN WHOLE OR IN PART.

REVISIONS

REV	DESCRIPTION	DATE	APPROVED



DIMENSIONS ARE IN INCHES
METRIC MOUNTING OPTIONAL

UNLESS OTHERWISE SPECIFIED
DIMENSIONS ARE IN INCHES
& PER ANSI Y14.5M-1982

FRACTIONS ±
ANGLES ±1/2°
3 PLACE DECIMALS ±.005
2 PLACE DECIMALS ±.01
HOLES ±

ELECTRO-OPTICAL PRODUCTS CORP.
FRESH MEADOWS, NEW YORK

TITLE OUTLINE DRAWING
CH-61 CHOPPER

PREPARED 9-15-99

SIZE A DWG NO. 99-100531

REV. -

APPROVED

SCALE FULL

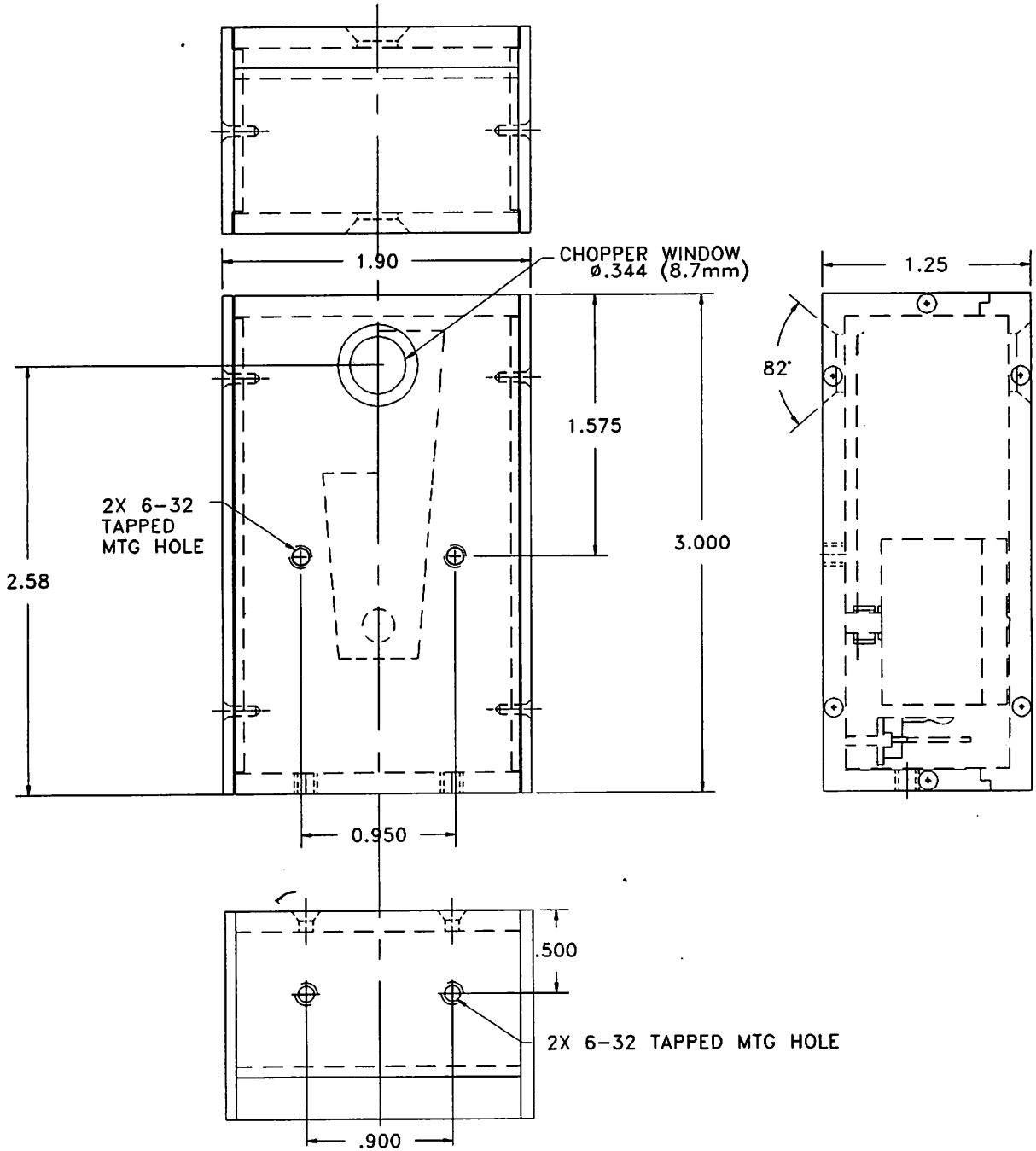
SHEET 1 OF 1

ELECTRO-OPTICAL PRODUCTS PROPRIETARY

THIS DOCUMENT CONTAINS PROPRIETARY INFORMATION AND EXCEPT WITH WRITTEN PERMISSION OF ELECTRO-OPTICAL PRODUCTS CORPORATION SUCH INFORMATION SHALL NOT BE PUBLISHED, OR DISCLOSED TO OTHERS, OR USED FOR ANY PURPOSE, AND THE DOCUMENT SHALL NOT BE DUPLICATED IN WHOLE OR IN PART.

REVISIONS

REV	DESCRIPTION	DATE	APP'VD
A			



UNLESS OTHERWISE SPECIFIED
DIMENSIONS ARE IN INCHES
& PER ANSI Y14.5M-1982

FRACTIONS \pm
ANGLES $\pm 1/2^\circ$
3 PLACE DECIMALS $\pm .005$
2 PLACE DECIMALS $\pm .01$
HOLES \pm

ELECTRO-OPTICAL PRODUCTS CORP.
FRESH MEADOWS, NEW YORK

TITLE **OUTLINE DRAWING**
CH-61-B CHOPPER

PREPARED 2-16-2000

SIZE **A** DWG NO. **00-100555** REV. **-**

APPROVED

SCALE **FULL** SHEET **1 OF 1**